

Liquids to Value



VESTA[®] Stroke Limiter / Seal Adjuster

Made by GEA Tuchenhagen



VESTA® Stroke Limiter

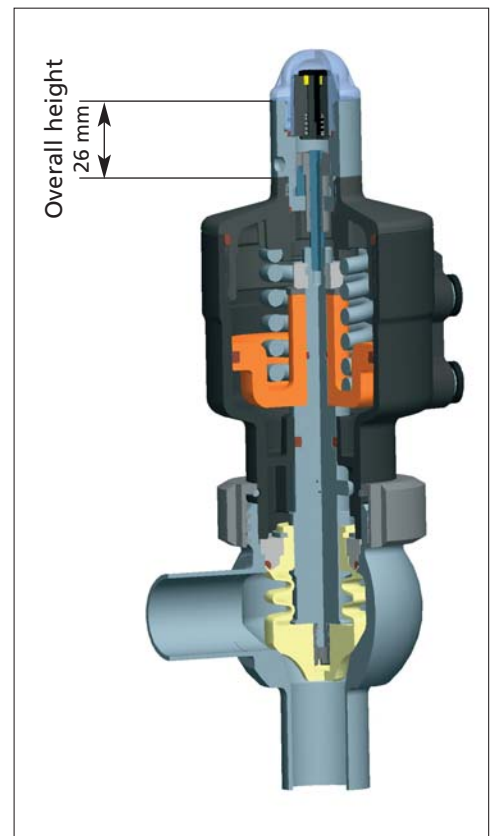
The VESTA® stroke limiter is used to limit the stroke of a valve. It is adjustable over the entire stroke range.

Two design types are available:

Stroke limiter Open

Seal adjuster Closed

Size	Stroke	Size	Stroke	Size	Stroke
DN 10	0-2.1	OD 1/2"	0-2.1	ISO 13.5	0-2.1
DN 15	0-4.0	OD 3/4"	0-4.0	ISO 17,2	0-2.9
DN 20	0-4.8	OD 1"	0-4.5	ISO 21.3	0-3.2
DN 25	0-5.0			ISO 26.9	0-5.0
DN 32	0-6.8			ISO 33.7	0-6.8



GEA Mechanical Equipment

GEA Tuchenhagen GmbH

Am Industriepark 2-10, 21514 Büchen, Germany

Phone +49-4155 49-0, Fax +49-4155 49-2423

sales.geatuchenhagen@geagroup.com, www.tuchenhagen.com